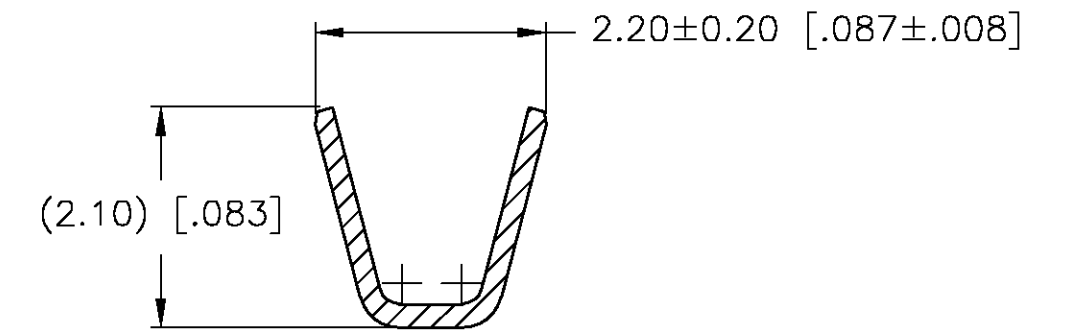
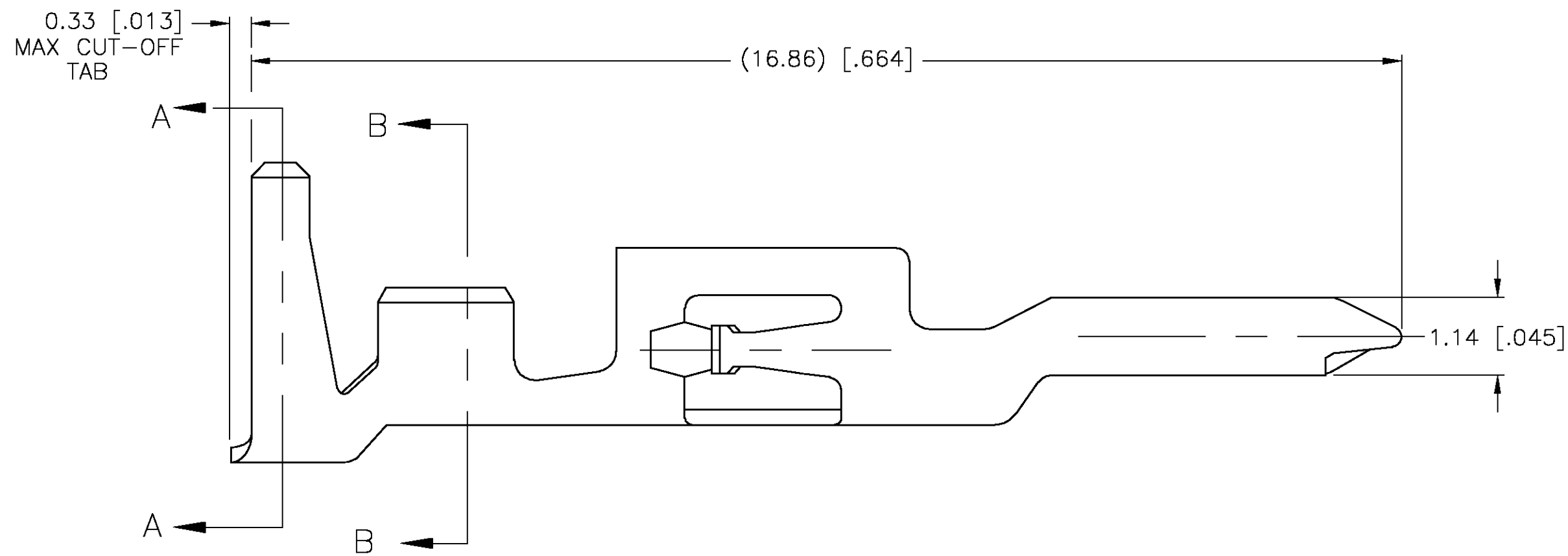
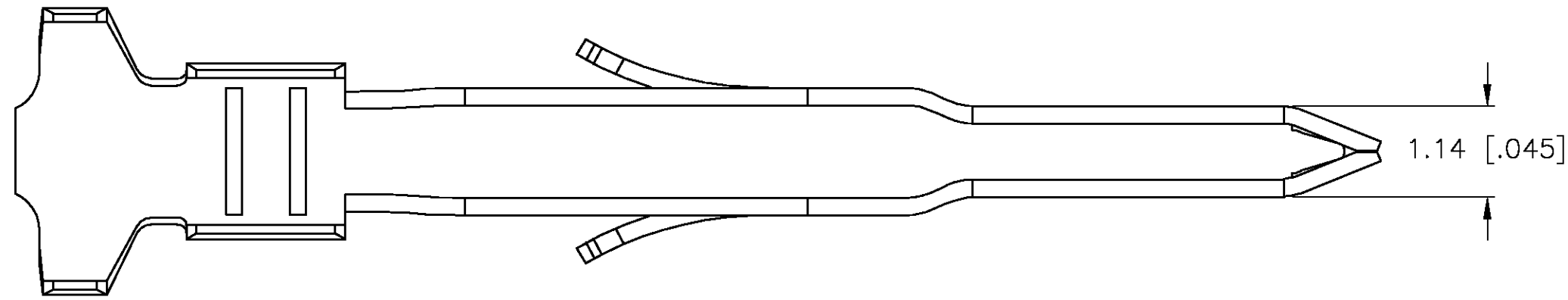


THIS DRAWING IS UNPUBLISHED. RELEASED FOR PUBLICATION  
 © COPYRIGHT BY TYCO ELECTRONICS CORPORATION. ALL RIGHTS RESERVED.

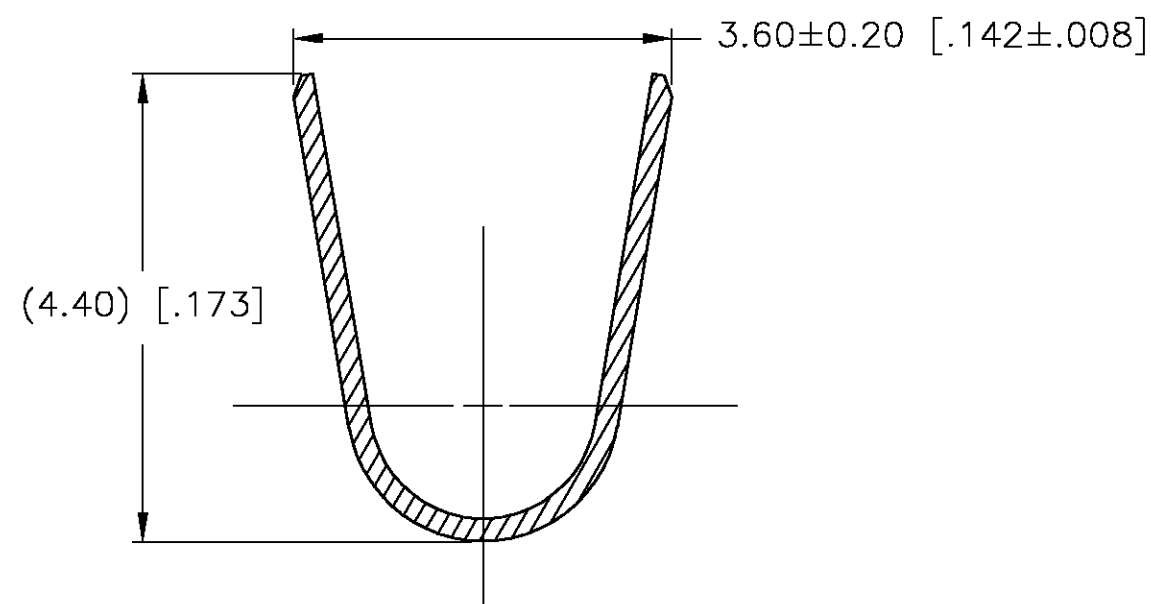
LOC	DIST	REVISIONS			
P	LTR	DESCRIPTION	DATE	DWN	APVD
CM	00	B	OG3B-0888-03	30-JAN-04	SH DC

△ 1 HAND TOOL PART NUMBER 734202-2

- 3. WIRE RANGE: 0.30-0.87mm<sup>2</sup> [.012-.034in<sup>2</sup>], (22-18 AWG).
- 4. INSULATION RANGE: 1.50-2.40 [.059-.094] DIAMETER.



SECTION B-B  
SCALE 14:1



SECTION A-A  
SCALE 14:1



794576-1	PRETINNED	0.22 [.009] PH. BRZ.	794577-1
STRIP (REF)	FINISH	MATERIAL	PART NUMBER

THIS DRAWING IS A CONTROLLED DOCUMENT.		DWN S. HOOVER 30-JAN-2004	Tyco Electronics Corporation Harrisburg, Pa 17105-3608	
DIMENSIONS: mm [INCHES]		CHK D. COLEY 30-JAN-2004	NAME	
TOLERANCES UNLESS OTHERWISE SPECIFIED:		APVD D. COLEY 30-JAN-2004	CONTACT, MALE, AMP-DUAC™ POWER CONNECTOR	
0 PLC ±		PRODUCT SPEC	SIZE CAGE CODE DRAWING NO	
1 PLC ±		108-1646	A2 00779 C=794577	
2 PLC ± 0.10 [.004]		APPLICATION SPEC	RESTRICTED TO	
3 PLC ±		114-6067	CUSTOMER DRAWING	
4 PLC ±		WEIGHT	SCALE 14:1 SHEET 1 OF 1 REV B	
ANGLES ±		FINISH		
MATERIAL SEE CHART				